

Effect of morphology of ZnO nanowire arrays on photovoltaic and electron transport properties of DSSC

This content has been downloaded from IOPscience. Please scroll down to see the full text.

2015 IOP Conf. Ser.: Mater. Sci. Eng. 81 012046

(<http://iopscience.iop.org/1757-899X/81/1/012046>)

View [the table of contents for this issue](#), or go to the [journal homepage](#) for more

Download details:

IP Address: 82.200.191.66

This content was downloaded on 24/05/2017 at 12:19

Please note that [terms and conditions apply](#).

You may also be interested in:

[Optical properties of natural dyes on the dye-sensitized solar cells \(DSSC\) performance](#)

D. D. Pratiwi, F. Nurosyid, A. Supriyanto et al.

[Modification of circuit module of dye-sensitized solar cells \(DSSC\) for solar windows applications](#)

S. D. Hastuti, F. Nurosyid, A. Supriyanto et al.

[Characteristics of Thermally Reduced Graphene Oxide Thin Film as DSSC Counter Electrode](#)

F Yuliasari, A Aprilia, N Syakir et al.

[Fabrication of Semi-quasi Solid DSSC using Spiro Material as Hole Transport Material](#)

L Safriani, W P Primawati, C Mulyana et al.

[Characteristics of dye Rhoeco spathacea in dye sensitizer solar cell \(DSSC\)](#)

Sri Sumardiasih, Wilfrida M. Obina, Cari et al.

[Facile synthesis of ZnO nanowires on FTO glass for dye-sensitized solar cells](#)

Han Zhitao, Li Sisi, Li Junjun et al.

[Efficiency enhancement of dye-sensitized solar cells \(DSSC\) by addition of synthetic dye into natural dye \(anthocyanin\)](#)

D D Pratiwi, F Nurosyid, A Supriyanto et al.

[Measurement of Electron Transport Properties of Single Molecules](#)

Xiulan Li, Bingqian Xu, Xiaoyin Xiao et al.

[Comparison of Titanium Dioxide \(TiO₂\) nanoparticle-nanofiber and nanofiber-nanoparticle on the application of dye-sensitized solar cell \(DSSC\)](#)

Linda Kusumaning Tyas, Risa Suryana, Fahru Nurosyid et al.

Effect of morphology of ZnO nanowire arrays on photovoltaic and electron transport properties of DSSC

B R Ilyassov*, N Kh Ibraev, D B Abzhanova

Institute of Molecular Nanophotonics, E.A. Buketov Karaganda State University,
100028 Karagandy, Kazakhstan.

*E-mail: baurdinho@mail.ru

Abstract. ZnO nanowire arrays were synthesized by hydrothermal method for 8, 10, and 12 hours. The array synthesized for 10h had the highest surface area and aspect ratio, and DSSC based on the 10h nanowire array revealed the best photovoltaic performance. The electron transport properties of DSSC based on the ZnO nanowire arrays were investigated by Electrochemical Impedance Spectroscopy (EIS).

Keyword: ZnO nanowires, arrays, DSSC, hydrothermal growth, EIS, electron transport, electron diffusion coefficient

1. Introduction

Dye sensitized solar cells (DSSCs) based on nanostructured metal oxides attract much attention of researchers in the recent years [1-3]. Preparation technologies of DSSCs are much easier and cheaper than one of solar cells based on p-n junction [1-3]. The efficiency of DSSCs has reached a value of more than 10% [4-5], and the efficiency of organic-inorganic perovskite solar cells which are also based on metal oxides has exceeded 15% [6].

One of the key components of the DSSCs is a metal oxide semiconductor photoelectrode which performs a double function: (1) It is a scaffold with a large specific surface needed for the dye loading, and (2) at the same time it is an electron transport material [1]. Morphology and defect density of the metal oxide determine its specific surface and its electron transport properties, respectively, and also influence on electron recombination in DSSCs. Nanostructured TiO₂ currently is being studied as photoelectrode of DSSCs most of all. High efficient DSSCs have been reached on TiO₂.

ZnO nanostructures are alternative material as a photoelectrode of DSSC. The bandgap and the conduction band edge position of ZnO is approximately the same as that of TiO₂. The first advantage of ZnO over TiO₂ is a large variety of nanocrystals with different morphology that have sufficiently large specific surface area. These ZnO nanocrystals can be obtained by solution processable methods [7-10]. The second is the electron mobility in ZnO, at least in single crystals, by an order of magnitude is greater than that of TiO₂ (anatase) [11-14]. However so far, the efficiency of DSSCs based on ZnO nanostructures is lower than one based on TiO₂. The efficiency of DSSCs based on multilayer assembly of ZnO nanowire arrays has reached 7% [15].

Some reports suggest that dye adsorption is the major problem in ZnO DSSCs [12-14]. Cells with high dye loading tend to be inefficient, whereas cells with lower dye loading show good efficiencies. These problems are mainly related to the high acidity of the carboxylic acid binding groups of the dyes that can lead to dissolution of ZnO and precipitation of dye-Zn²⁺ complexes, leading to a poor overall electron injection efficiency of the dye [14].

According to the report [16], the majority of studies regarding ZnO DSSCs have been focused on two main aspects: (1) using the ease of preparing one-dimensional ZnO nanostructures with attractive transport properties and (2) searching for suitable dyes for ZnO. However, in comparison with TiO₂, less detailed studies of electron transport and recombination have been carried out on DSSCs based on ZnO nanostructures.

Vertically aligned ZnO nanowire arrays have recently attracted considerable interest because of their one-dimensional structure and unique properties. In the field of energy conversion, nanowire DSSCs have been fabricated based on the fast electron transport in single crystalline ZnO nanowires. The majority of studies regarding ZnO nanowires for DSSC have been concentrated on preparing nanowires with the high aspect ratio and density on a substrate that gives the high surface area of nanowires. However, there are no researches related to an effect of morphology of ZnO nanowires on electron transport properties of DSSCs.

In this paper, we studied the effect of morphology of ZnO nanowire arrays on the photovoltaic and electron transport properties of DSSC. ZnO nanowire arrays were synthesized by hydrothermal methods. Electron transport properties of DSSC based on the ZnO nanowire arrays were investigated by Electrochemical Impedance Spectroscopy (EIS).

2. Experimental procedure

ZnO seed layers were prepared by the sol-gel spin coating fabrication process [17]. Zinc acetate dehydrate [(Zn(CH₃COO)₂·2H₂O, Sigma Aldrich)] was dissolved in the mixed solution of monoethanolamine (C₂H₇NO, Sigma-Aldrich) and isopropyl alcohol. The concentrations of both zinc acetate dehydrate and monoethanolamine in the resulting solution are 0.5 M. The coating solution was spin-coated onto ITO substrates at 3000 rpm for several times. The ITO substrates were subsequently annealed at 400°C in air for 30 min in order to convert zinc acetate to ZnO.

ZnO nanowires were prepared by hydrothermal deposition [7]. ZnO nanowires were grown by placing vertically the ZnO-seeded ITO substrates in solutions with 25 mM Zn(NO₃)₂ (Sigma-Aldrich) and 25 mM hexamethylenetetramine (C₆H₁₂N₄, Sigma-Aldrich) at 90°C for 10 hours. In order to obtain a constant nanowire array growth rate, the solutions were refreshed during the reaction period (solution turnover time 2 h). Subsequently, the substrates were washed with water/ethanol and annealed at 400°C for 30 min to remove any residual organics.

The ZnO-based photoanodes, each with an active surface area of 0.2 cm², were dyed by immersing them in a dry ethanol solution containing 0.5 mM of N719 (Solaronix) at 50 °C for 1 h. An ITO substrate coated with Pt was used as the counter electrode. Pt coat was prepared by electrodeposition methods on ITO that can be found elsewhere [18, 19] The DSSC was fabricated by placing the Pt-coated counter electrode over the dyed ZnO-based photoanode separated by a 25 μm thick thermoplastic sealing spacer (Meltonix 1170-25, Solaronix). The internal space of cell was filled with a high stable liquid electrolyte, Iodolyte Z-150 (Solaronix; Redox couple: iodide/tri-iodide; redox concentration: 150mM; additives: ionic liquid, alkylbenzimidazole, thiocyanate; solvent: 3-methoxypropionitrile).

The surface morphology of ZnO nanowire arrays was characterized on a field-emission scanning electron microscope (FESEM MIRA-3, Tescan). The photocurrent-voltage characteristics were measured using a Source Meter instruments (Keithley 2400) by irradiating with simulated solar light, that is, AM 1.5 100 mW/cm² (PET PHOTO Emission TECH., INC). The cell active area was 0.2 cm². The impedance of the cells was measured by using an impedance meter (Z-500PRO, Elins). All impedance measurements were performed under a bias light illumination of 100 mW/cm² from a simulated solar light (PET PHOTO Emission TECH., INC) at open circuit condition. Impedance measurement of cells was recorded in a frequency range from 0.05 Hz to 200 kHz with an *ac* amplitude of 10 mV.

3. Result and discussion

Figure 1 shows the SEM top view images of ZnO nanowire (NW) arrays synthesized for 8, 10, and 12 hours. Table 1 shows morphology parameters of NW arrays (NW density, diameter, length, and aspect ratio) calculated from the data of SEM. As shown in Figure 1 and table 1, the NW average diameter and length increase with the increasing of reaction time while NW density (number per cm^2 of projected surface area) decreased. On the basis of these calculated parameters, the surface area of the NW arrays located on a substrate area of 1 cm^2 was approximately evaluated (see table 1). At the beginning, the NW surface area increases from 31 to 47 cm^2 when the reaction time is increased from 8 to 10 h, respectively, and further at 12 h it decreased to 41 cm^2 . The aspect ratio (diameter/length) also has a maximum value for the 10 h NW array.

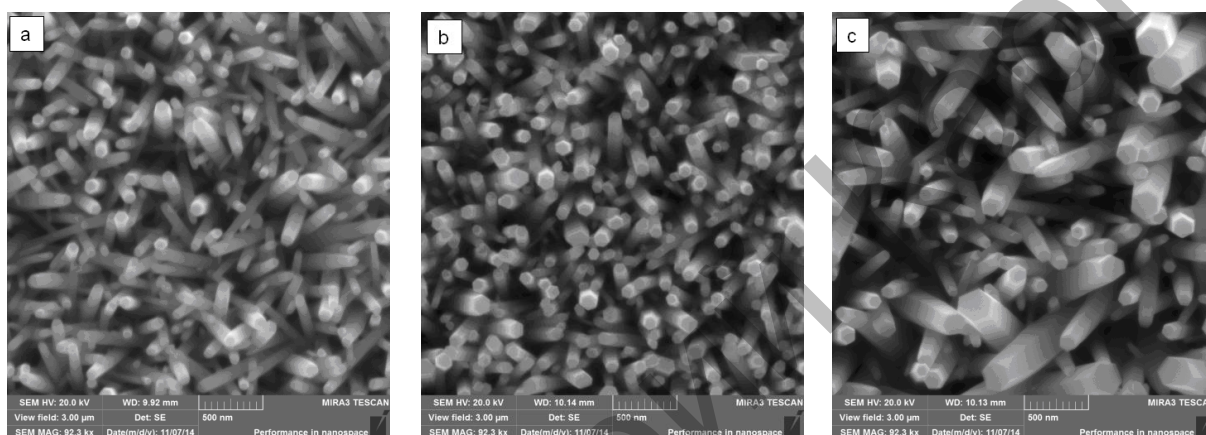


Figure 1. The SEM top view images of ZnO nanowire arrays synthesized for 8 (a), 10 (b), and 12h (c).

Table 1. Morphology parameters of ZnO nanowire array synthesized for 8, 10, and 12 h.

Reaction time, h	Nanowire density (cm^{-2})	Average nanowire diameter (d), nm	Average nanowire length (L), μm	d/L	Surface area of nanowire array, cm^2
8	$503 \cdot 10^7$	92	2.1	$4.38 \cdot 10^{-2}$	31
10	$295 \cdot 10^7$	151	3.3	$4.76 \cdot 10^{-2}$	47
12	$215 \cdot 10^7$	160	3.4	$4.59 \cdot 10^{-2}$	42

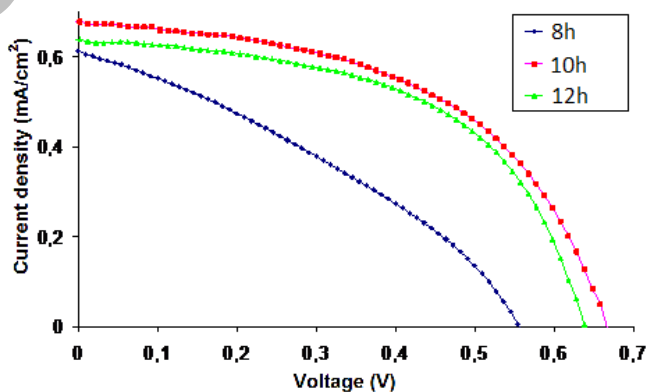


Figure 2. Current-voltage characteristics of DSSCs based on ZnO NW arrays synthesized for 8, 10, and 12 h.

Table 2. Photovoltaic performances and electron transport properties of DSSCs based on ZnO NW arrays synthesized for 8, 10, and 12 h.

	J_{sc} , $\mu\text{A}/\text{cm}^2$	U_{oc}	FF	η , %	R_w , Ohm	R_k , Ohm	R_k/R_w	k_{eff} , s^{-1}	τ_{eff} , ms	D_{eff} , cm^2/s
8h	610	0.56	0.34	0.12	9.3	132.4	14.2	120	8.31	$7.41 \cdot 10^{-05}$
10h	680	0.66	0.52	0.25	7.3	85.2	11.7	275	3.64	$35.2 \cdot 10^{-05}$
12h	629	0.63	0.55	0.22	4.8	64.1	13.4	479	2.09	$74.2 \cdot 10^{-05}$

The current-voltage characteristic of DSSCs based on ZnO NW arrays synthesized for 8, 10, and 12 h. are shown in figure 2 and their photovoltaic performances are listed in table 2. The cell based on the array grown for 10h has revealed the highest conversion efficiency, short circuit current density, and open circuit photovoltage. This result confirms that the 10h grown array has the highest surface area.

Effect of nanowire morphology parameters on electron transport properties of the DSSCs were investigated using Electrochemical Impedance Spectroscopy (EIS). Figure 3 represents the Nyquist plots of the impedance data of the cells operated in the open circuit under the standard illumination. According to the diffusion-recombination model [20], a suggested equivalent circuit representing the DSSCs based on NW array shown in the figure 4 is employed to fit the impedance spectra for extracting the impedance of the nanowires and the nanowires/electrolyte interface portions. The fitted results are the solid lines shown in the Figure 3. Estimation of the electron transport parameters in the nanowires and electron transfer parameters on the nanowire/electrolyte interface of the cells was conducted from the Nyquist plots of the nanowire and the nanowire/electrolyte interface portions according to the procedure demonstrated by Adachi et al. [21]. The electron transport resistance in NWs ($R_w = r_w L$, as represented in the equivalent circuit and L is the thickness of the anode), charge-transfer resistance related to recombination of an electron ($R_k = r_k/L$), first-order reaction rate constant for electrons being lost (k_{eff}), effective lifetime of an electron in NWs (τ) estimated from the impedance analyses are also listed in Table 1.

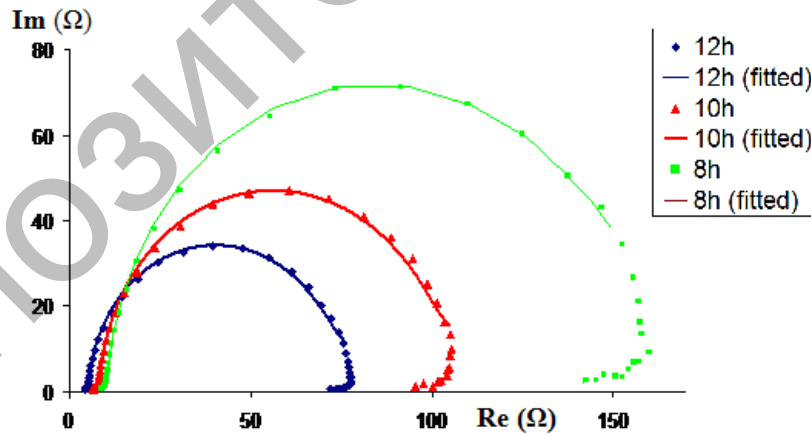


Figure 3. Nyquist plots of the impedance data of DSSCs based on ZnO NW arrays synthesized for 8, 10, and 12 h. The solid lines are the fitting results based on the equivalent circuit model shown in the figure 4.

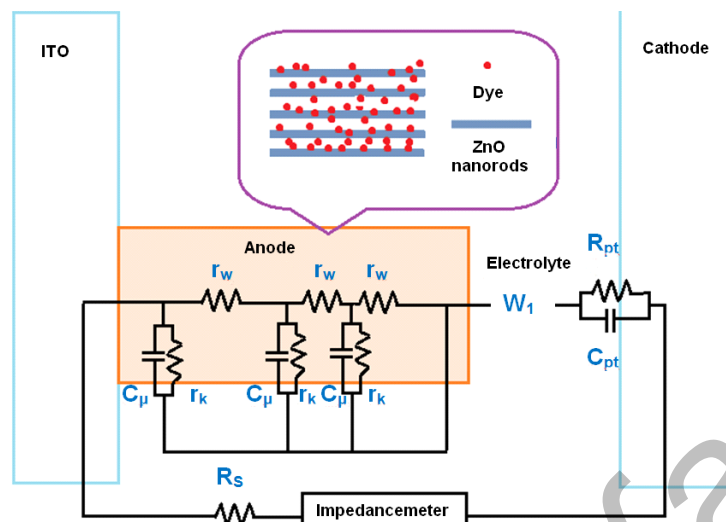


Figure 4. The equivalent circuit model of DSSCs based on ZnO NW arrays, where $C_{\mu}(=c_{\mu}L)$ is the chemical capacitance, R_s is a total series resistance for the transport resistance of ITO and all resistances out of the cell, W_1 is the impedance of diffusion of redox species in the electrolyte, and R_{pt} and C_{pt} are the charge transfer resistance and the interfacial capacitance at the counter electrode/ electrolyte interface, respectively [22].

As shown in Table 1, when the reaction time of NW synthesis is increased from 8 to 12 h, the electron transport resistance in ZnO NWs decreases; consequently, FF of cells improves. The charge-transfer resistance which related to recombination of electrons at the ZnO/electrolyte interface and the effective electron lifetime also decrease. The latter indicates that with the increasing of the reaction time of NW synthesis, recombination losses of electron intensify. It is can be due to the increasing a defect density on NW surface [23] and in case of 10h NW due to the increasing of the surface area. However, effective diffusion coefficient of electrons (D_{eff}) increases with the increasing of the reaction time of NW synthesis. This phenomenon indicates that bulk defects in NWs are reduced.

5. Conclusion

In summary, ZnO nanowire arrays were synthesized by hydrothermal method for 8, 10, 12 hours. The arrays synthesized for 10h had the highest surface area and aspect ratio, and DSSC based on their revealed the best photovoltaic performance. According to the Impedance Spectroscopy date, with the increasing of reaction time of nanowire arrays from 8 to 12 h, the electron transport resistance, the charge-transport resistance and the effective electron lifetime in ZnO nanowires decreased, whereas the effective electron diffusion coefficient increased.

REFERENCES

- [1] O'Regan B, Grätzel M 1991 A low-cost, high-efficiency solar cell based on dye-sensitized colloidal TiO_2 films. *Nature* **353** 737–740.
- [2] Kong F-T, Dai S-Y, Wang K-J 2013 Review of Recent Progress in Dye-Sensitized Solar Cells. *Adv. Opto Elect.* **75384** 13.
- [3] Hamann T W, Jensen R A, Martinson A B F, Ryswyk H V, Hupp J T 2008 Advancing Beyond Current Generation Dye-Sensitized Solar Cells *Energy Environ. Sci.* **1** 66–78.
- [4] Hagfeldt A, Grätzel M 2000 Molecular Photovoltaics *Acc. Chem. Res.* **33** 269–277.
- [5] Grätzel M 2001 Photoelectrochemical cells *Nature* **414** 338–44.

- [6] Burschka J, Pellet N, Moon S J, Humphry-baker R, Gao P, Nazeeruddin M K, Grätzel M 2013 Sequential deposition as a route to high-performance perovskite-sensitized solar cells *Nature* **499** 316–9.
- [7] Baruah S, Dutta J 2009 Hydrothermal growth of ZnO nanostructures *Sci. Technol. Adv. Mater.* **10** 18.
- [8] Lamia Z 2010 Sol–gel-deposited ZnO thin films *Materials Science and Engineering B* **174** 18–30.
- [9] Skompska M, Zarebska K 2014 Electrodeposition of ZnO Nanowire Arrays on Transparent Conducting Substrates *Electrochimica Acta* **127** 467–488.
- [10] Chen H, Zhu L, Liu H, Li W 2013 Effects of preparing conditions on the nanostructures electrodeposited from the Zn(NO₃)₂ electrolyte containing KCl *Thin Solid Films* **534** 205–213.
- [11] Law M, Greene L E, Yang P 2005 Nanowire dye-sensitized solar cells *Nature Materials* **4** 455–459.
- [12] Gao Y, Nagai M, Chang T-C, Shyue J 2007 Solution-Derived ZnO Nanowire Array Film as Photoelectrode in Dye-Sensitized Solar Cells *Crystal Growth and Design* **7** 2467–2471.
- [13] Kaidashev E M, Lorenz M, von Wenckstern H, Rahm A, Semmelhack H-C, Han K-H, Benndorf G, Bundesmann C, Hochmuth H, Grundmann M 2003 High electron mobility of epitaxial ZnO thin films on c-plane sapphire grown by multistep pulsed-laser deposition *Applied Physics Letters* **82** 3901–3903.
- [14] Hendry E, Koeberg M, O'Regan B, Bonn M 2006 Local field effects on electron transport in nanostructured TiO₂ revealed by terahertz spectroscopy *Nano Letters* **6** 755–759.
- [15] Xu C, Wu J, Desai U V, Gao D 2011 Multilayer Assembly of Nanowire Arrays for Dye-Sensitized Solar Cells *J. Am. Chem. Soc.* **133** 8122–8125.
- [16] Guill E, Peter L M, Anta J A Electron Transport and Recombination in ZnO-Based Dye-Sensitized Solar Cells *E. J. Phys. Chem. C* **115** 22622–32.
- [17] Kamaruddin S A , Chan K, Yow H, Sahdan M Z, Saim H, Knipp D 2011 Zinc oxide films prepared by sol-gel spin coating technique *Applied Physics A* **104** 263–268.
- [18] Lee K S, Lee H K, Wang D H, Park N, Lee J Y, Park O, Park J H 2010 Dye-sensitized solar cells with Pt- and TCO-free counter electrodes *Chem. Commun.* **46** 4505–4507.
- [19] Gao Y, Chu L, Wu M, Wang L, Guo W, Ma T 2012 Improvement of adhesion of Pt-free counter electrodes for low-cost dye-sensitized solar cells *Journal of Photochemistry and Photobiology A: Chemistry* **245** 66–71.
- [20] Bisquert J 2002 Theory of the Impedance of Electron Diffusion and Recombination in a Thin Layer *J. Phys. Chem. B* **106** 325–333.
- [21] Adachi M, Sakamoto M, Jiu J, Ogata Y, Isoda S 2006 Determination of Parameters of Electron Transport in Dye-Sensitized Solar Cells Using Electrochemical Impedance Spectroscopy *J. Phys. Chem. B* **110** 13872–80.
- [22] Wu J, Chen G, Yang H, Ku C, Lai J-Y 2007 Effects of dye adsorption on the electron transport properties in ZnO-nanowire dye sensitized solar cells *Applied physics letters* **90** 2131091–3.
- [23] Kern R, Sastrawan R, Ferber J, Stangl R, Luther J 2002 Modeling and interpretation of electrical impedance spectra of dye solar cells operated under open-circuit conditions *Electrochimica Acta* **47** 4213–4225.